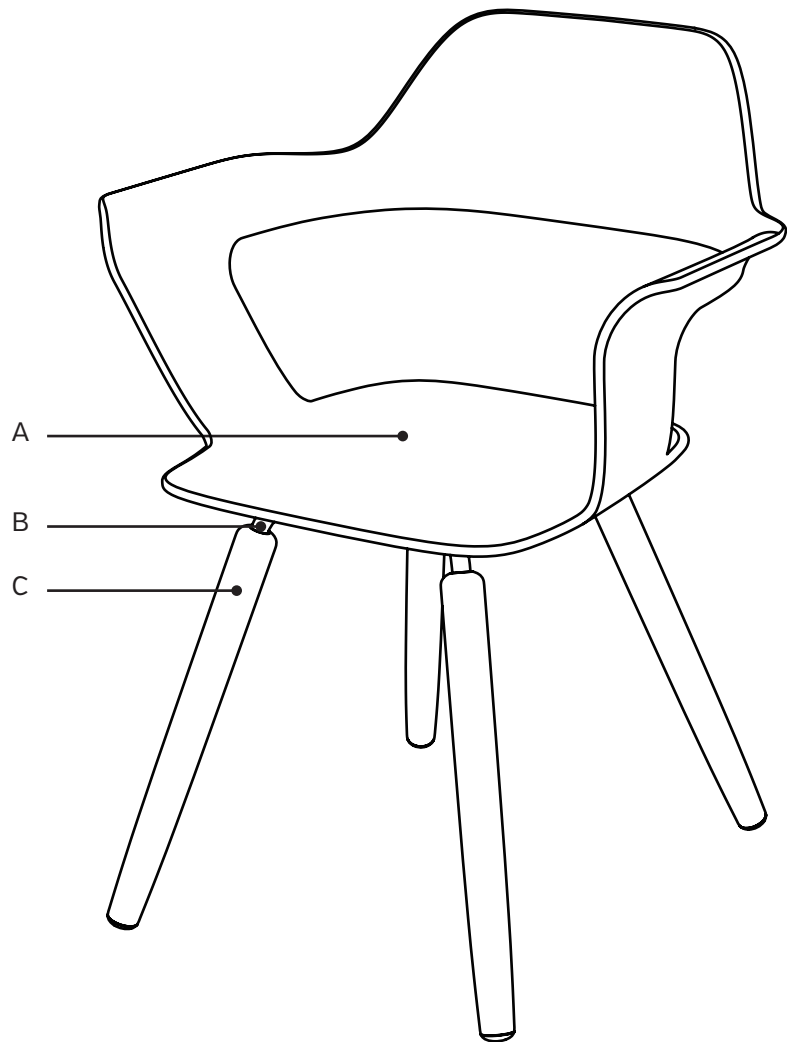


idesk

Assembly Instructions MUSE CHAIR



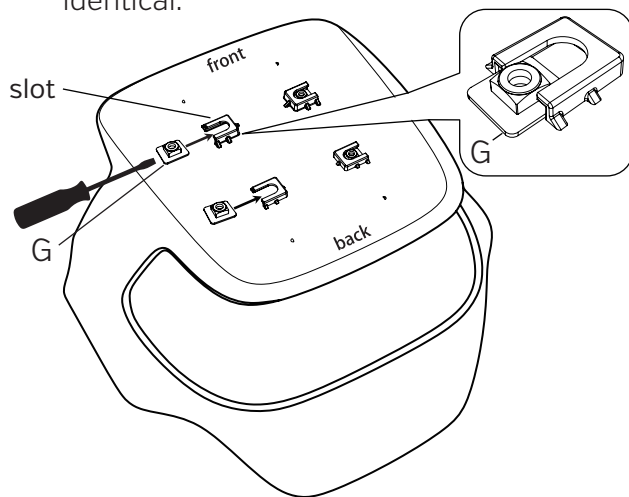
Item		Part Name	Part #	Qty
A		Seat Shell	G00074	1
B		Frame	G00075	1
C		Chair Legs	G00076	4
D		Bottom	G00077	1
E		Screws	G00078	4
F		Washers	G00079	4
G		Nut Plate	G00080	4
H		Hex Wrench	G00081	1

Warning

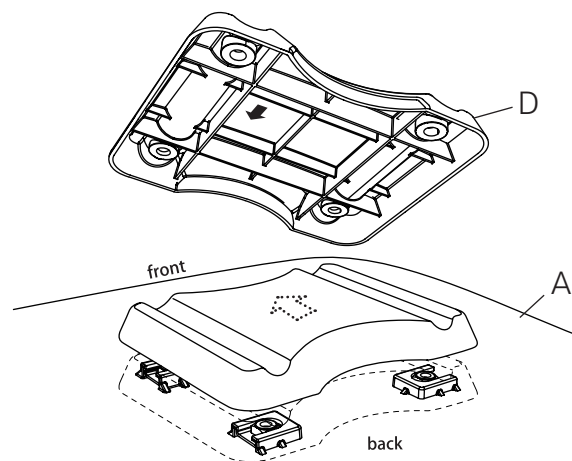
1. Product is for single person use only.
2. Do not use this chair unless all bolts and knobs are securely tightened.
3. Check that all bolts and knobs are tightened every six months or as needed.
4. Dispose of packing material properly. Do not use plastic cover as a head covering. Suffocation may result.
5. Do not use this chair as a stepladder.

For assistance, call (888) 471-1616, or www.youtube.com/user/ideskInc1

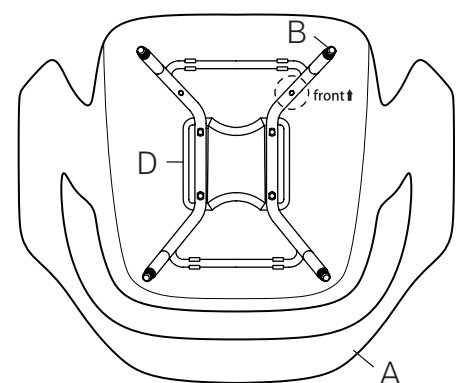
- 1** Turn seat shell upside down. Push nut plates into slots on the bottom of seat shell with a flat screwdriver. All nut plates are identical.



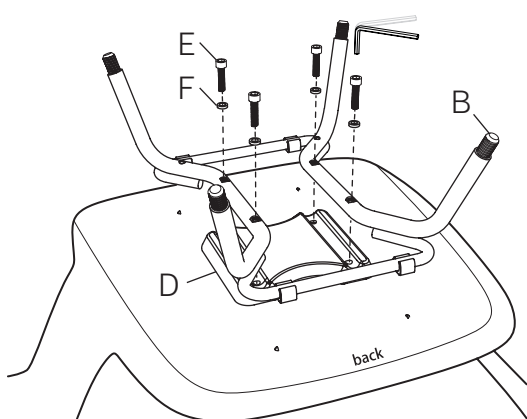
- 2** With the arrows on bottom facing the front of the chair, place bottom on seat shell. Make sure the holes in the bottom are aligned with threaded holes in the nut plates.



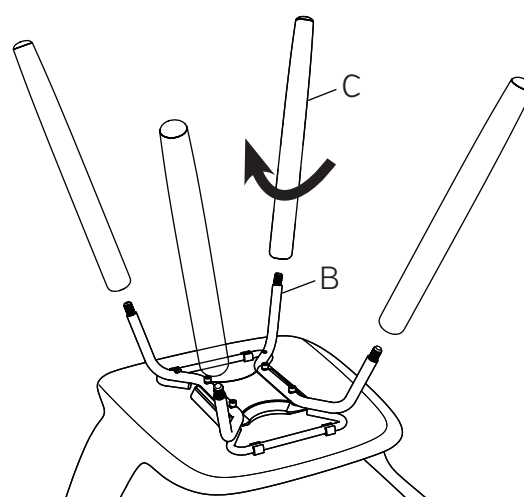
- 3** Place frame above bottom. Make sure the holes in frame and bottom are aligned with the threaded holes in the nut plates.



- 4** Install washers and screws through frame and bottom as shown into nut plates and tighten with hex wrench.



- 5** Fasten chair legs onto frame as shown.



- 6** Turn the chair to normal use position and make sure all 4 legs touch the ground. In case of uneven floor, rotate the chair legs to level the chair.

