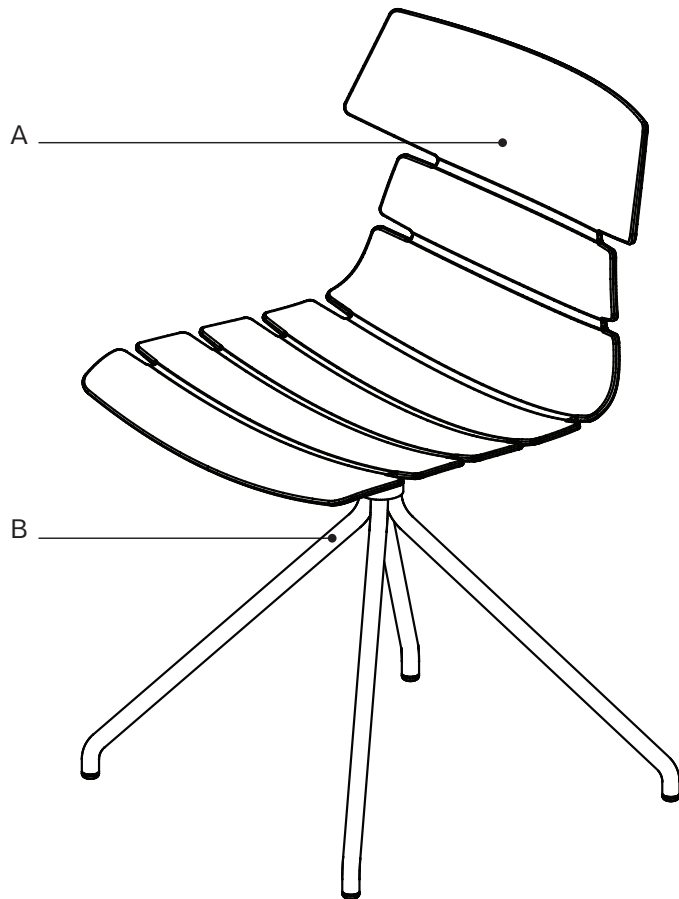


idesk

Assembly Instructions

TIKAL SPIDER LEG



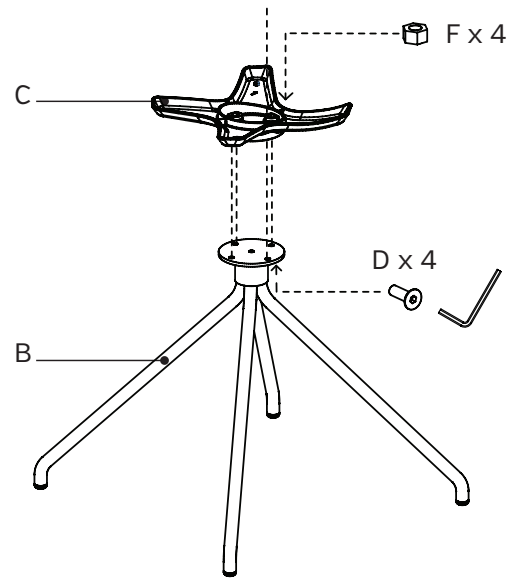
Item		Part Name	Part #	Qty
A		Plastic Shell (traffic white)	G00100	1
A		Plastic Shell (traffic black)	G00101	1
A		Plastic Shell (traffic red)	G00102	1
A		Plastic Shell (lime green)	G00103	1
A		Plastic Shell (london gray)	G00104	1
A		Uph. Shell (cranberry red)	G00105	1
A		Uph. Shell (dark pewter)	G00106	1
A		Uph. Shell (moss)	G00107	1
B		Spider Base	G00111	1
C		Base Bracket	G00123	1
D		Screw Short	G00121	12
E		Screw Long	G00122	4
F		Nuts	G00130	4
G		4mm Hex Wrench	G00113	1

Warning

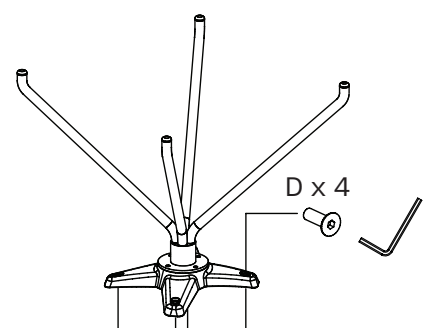
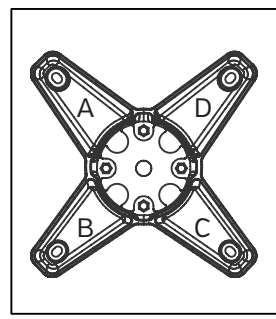
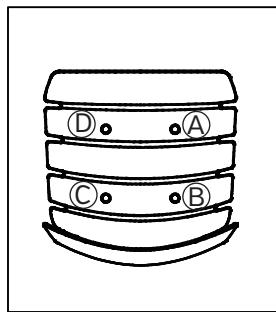
1. Product is for single person use only.
2. Do not use this chair unless all bolts are securely tightened.
3. Check that all bolts are tightened every six months or as needed.
4. Dispose of packing material properly. Do not use plastic cover as a head covering. Suffocation may result.
5. Do not use this chair as a stepladder.

For assistance, call (888) 471-1616, or www.youtube.com/user/ideskinc1

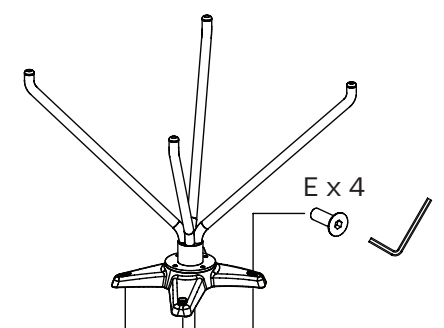
1 Assemble base bracket onto spider base with the hex wrench using screws and nuts.



2 Assemble the **plastic or upholstered shell** to the base bracket according to the corresponding letter with the hex wrench using the screws.



Plastic



or Upholstered